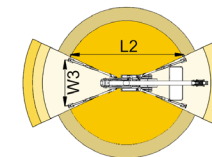
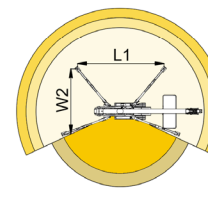
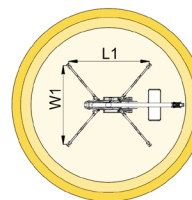
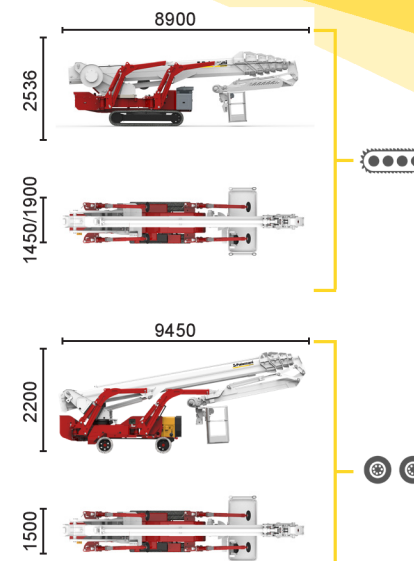
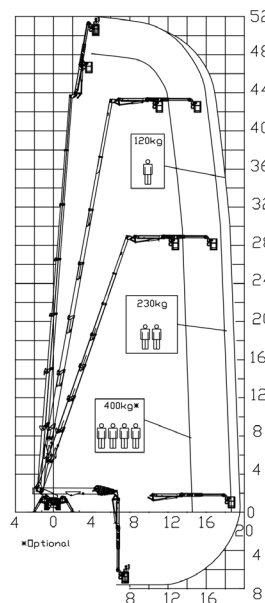




BI-ENERGY

Diesel
32,5 kW

Single-phase
Electric motor
230VAC - 2,2 kW



14,5 m	18,5 m	19,5 m	12,5 m	16,5 m	L1	L2	W1	W2	W3
400* kg	230 kg	120 kg	400* kg	120/230 kg	6460 mm	7190 mm	5170 mm	4655 mm	4130 mm



XTJ 52+/C		52 m	19,5 m	400 kg*	660°	240x70 cm	90°+80°	4,13-5,17 m	16%	42%	2 km/h	14980 kg	95 kN	4,49 kN/m ²	7,01 kN/m ²
XTJ 52+/R		52 m	19,5 m	400 kg*	660°	240x70 cm	90°+80°	4,13-5,17 m	16%	21%	1,2 km/h	13000 kg	95 kN	3,89 kN/m ²	7,64 kN/m ²

Available power options:

BI-ENERGY (DIESEL+AC)

Characteristics and technical data are informative only and subjected to change without notice.

FILIALE MISSAGLIA: Via I° Maggio, 25 - 23873 Missaglia (LC) - Tel: +39 039 92.011.61 - Tel: +39 039 92.011.62
FILIALE SESTO SAN GIOVANNI: Via G. di Vittorio, 338 - 20099 Sesto San Giovanni (MI) - Tel: +39 02 26224081
 INFO LINE: 800.900.061