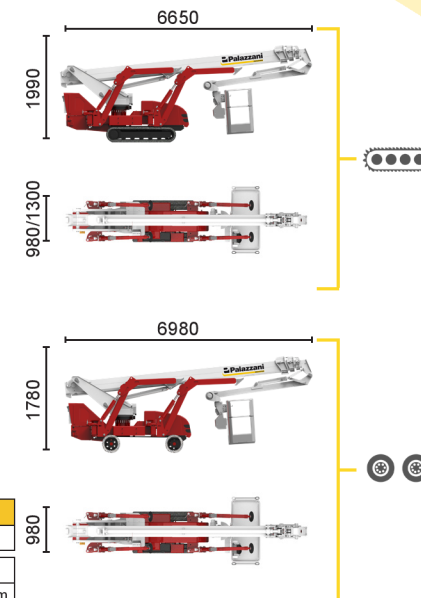
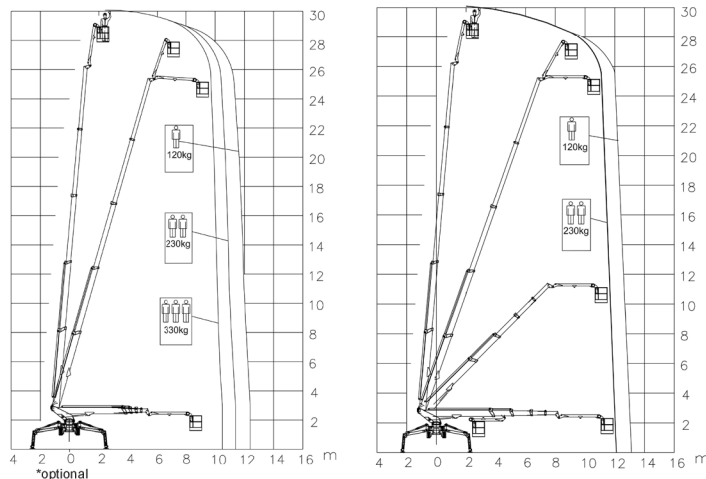




## BI-ENERGY

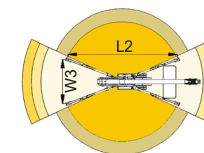
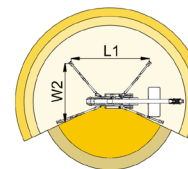
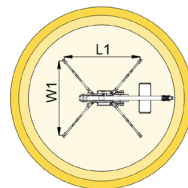
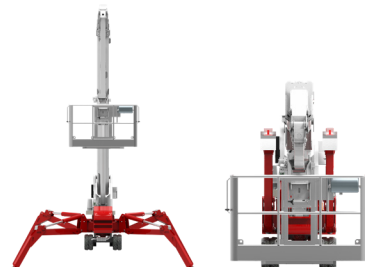
Diesel  
14,7 kW

Single-phase  
Electric motor  
230VAC - 2,2 kW



10,5 m	11,4 m	12,4 m	7,5 m	
330 kg*	230 kg	120 kg	120/230 kg	
L1	L2	W1	W2	W3
4927 mm	6436 mm	4791 mm	3828 mm	2865 mm

12 m	13 m	8 m		
230 kg	120 kg	230/120 kg		
L1	L2	W1	W2	W3
4927 mm	6436 mm	4791 mm	3828 mm	2865 mm



TSJ 30.1/C		30 m	13 m	330 kg*	660°	180x70 cm	90°+80°	2,86-4,79 m	44%	42%	1,2 km/h	4580 kg	29 kN	1,94 kN/m <sup>2</sup>	3,83 kN/m <sup>2</sup>
TSJ 30.1/R		30 m	13 m	330 kg*	660°	180x70 cm	90°+80°	2,86-4,79 m	44%	29%	1,2 km/h	4840 kg	29 kN	2,05 kN/m <sup>2</sup>	3,85 kN/m <sup>2</sup>

Available power options:

**BI-ENERGY** (DIESEL+AC)

**ECO** (AC+BATTERY)

**HYBRID** (DIESEL+AC+BATTERY)

Characteristics and technical data are informative only and subjected to change without notice.

**FILIALE MISSAGLIA:** Via I° Maggio, 25 - 23873 Missaglia (LC) - Tel: +39 039 92.011.61 - Tel: +39 039 92.011.62

**FILIALE SESTO SAN GIOVANNI:** Via G. di Vittorio, 338 - 20099 Sesto San Giovanni (MI) - Tel: +39 02 26224081

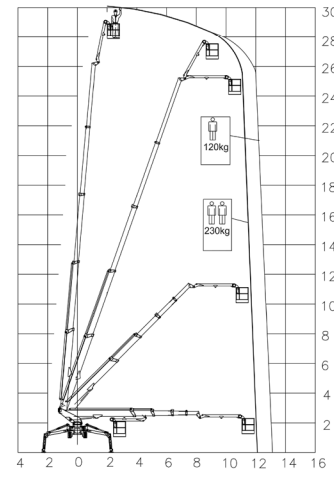
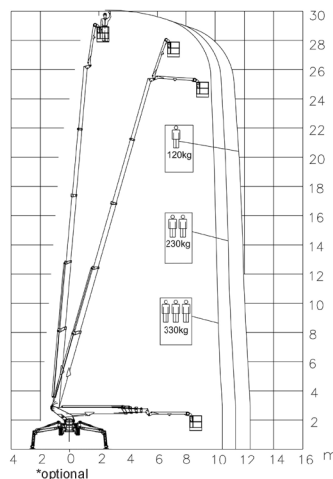
INFO LINE: 800.900.061



**ECO**

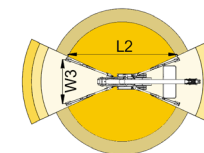
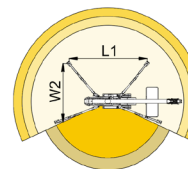
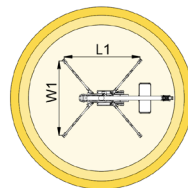
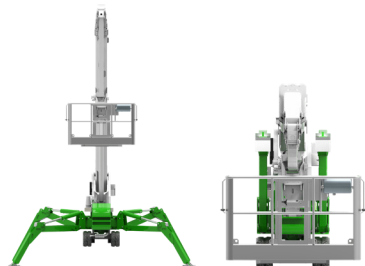
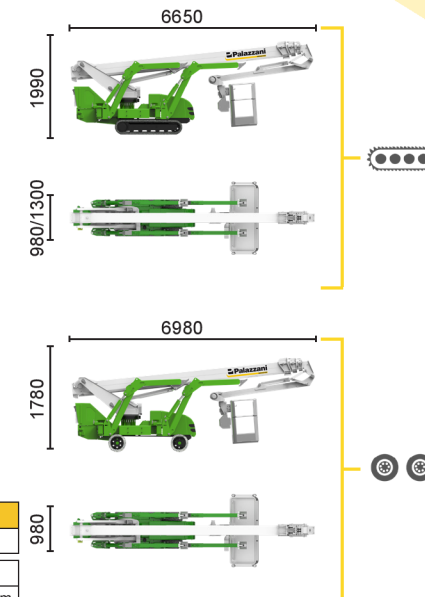
Single-phase  
Electric motor  
230VAC - 5,5 kW

Lithium iron  
phosphate battery  
LiFePO4  
48V - 375 Ah



10,5 m	11,4 m	12,4 m	7,5 m
330 kg*	230 kg	120 kg	120/230 kg
L1	L2	W1	W2
4927 mm	6436 mm	4791 mm	3828 mm

12 m	13 m	8 m
230 kg	120 kg	230/120 kg
L1	L2	W1
4927 mm	6436 mm	4791 mm



TSJ 30.1/C		30 m	13 m	330 kg*	660°	180x70 cm	90°+80°	2,86-4,79 m	44%	42%	1,2 km/h	4580 kg	29 kN	1,94 kN/m2	3,83 kN/m2
TSJ 30.1/R		30 m	13 m	330 kg*	660°	180x70 cm	90°+80°	2,86-4,79 m	44%	29%	1,2 km/h	4840 kg	29 kN	2,05 kN/m2	3,85 kN/m2

Available power options:

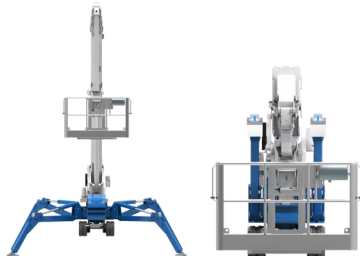
**BI-ENERGY** (DIESEL+AC)

**ECO** (AC+BATTERY)

**HYBRID** (DIESEL+AC+BATTERY)

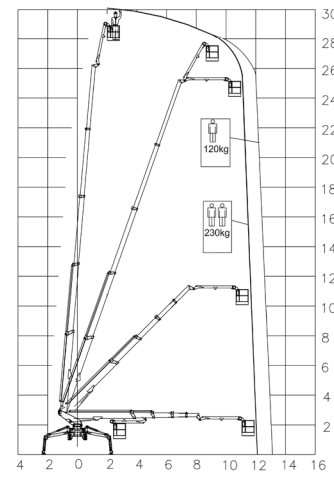
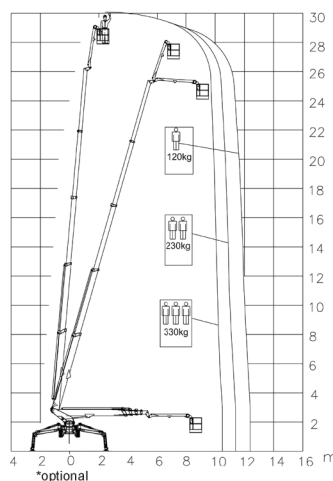
Characteristics and technical data are informative only and subjected to change without notice.

**FILIALE MISSAGLIA:** Via I° Maggio, 25 - 23873 Missaglia (LC) - Tel: +39 039 92.011.61 - Tel: +39 039 92.011.62  
**FILIALE SESTO SAN GIOVANNI:** Via G. di Vittorio, 338 - 20099 Sesto San Giovanni (MI) - Tel: +39 02 26224081  
 INFO LINE: 800.900.061



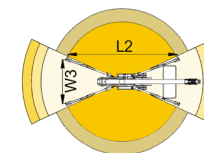
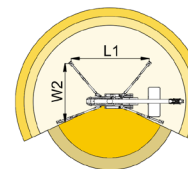
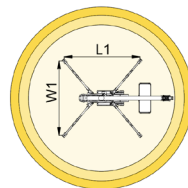
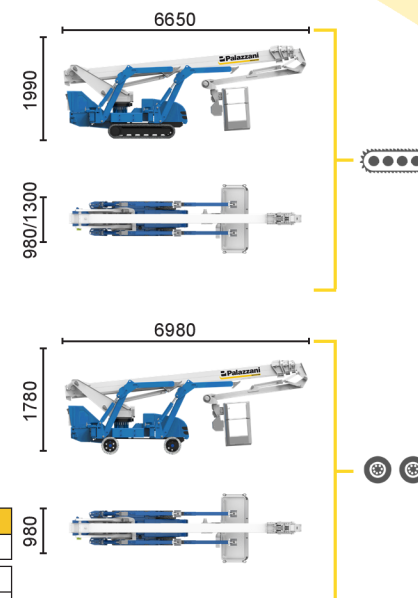
## HYBRID<sup>2</sup>

- Diesel  
14,7 kW
- Single-phase Electric motor  
230VAC - 5,5 kW
- Lithium iron phosphate battery  
LiFePO4  
48V - 210 Ah



10,5 m	11,4 m	12,4 m	7,5 m
330 kg*	230 kg	120 kg	120/230 kg
L1	L2	W1	W2
4927 mm	6436 mm	4791 mm	3828 mm

12 m	13 m	8 m
230 kg	120 kg	230/120 kg
L1	L2	W1
4927 mm	6436 mm	4791 mm



TSJ 30.1/C		30 m	13 m	330 kg*	660°	180x70 cm	90°+80°	2,86-4,79 m	44%	42%	1,8 km/h	4940 kg	29 kN	2,09 kN/m <sup>2</sup>	4,13 kN/m <sup>2</sup>
TSJ 30.1/R		30 m	13 m	330 kg*	660°	180x70 cm	90°+80°	2,86-4,79 m	44%	29%	1,4 km/h	5040 kg	29 kN	2,14 kN/m <sup>2</sup>	4,01 kN/m <sup>2</sup>

Available power options:

- BI-ENERGY** (DIESEL+AC)
- ECO** (AC+BATTERY)
- HYBRID<sup>2</sup>** (DIESEL+AC+BATTERY)

Characteristics and technical data are informative only and subjected to change without notice.