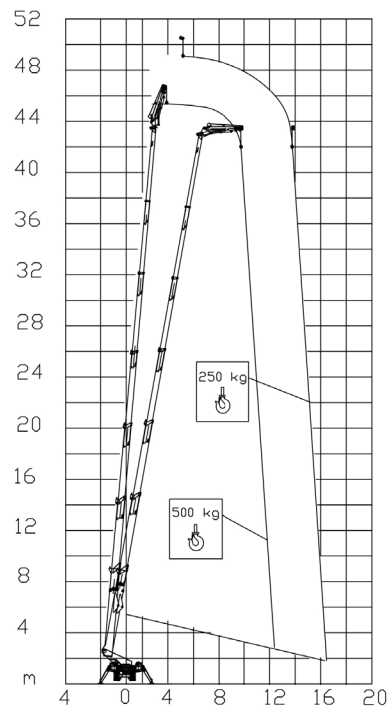




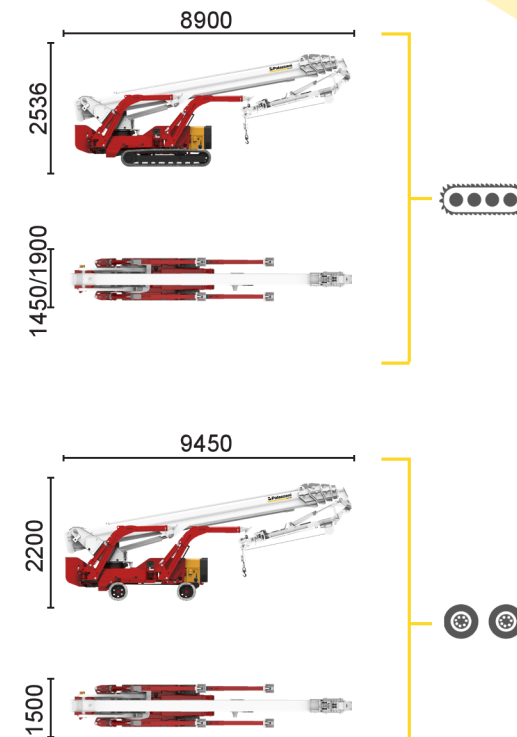
BI-ENERGY

Diesel
32,5 kW

Single-phase
Electric motor
230VAC - 2,2 kW



500 kg	250 kg
12,5 m	16,5 m



Model	Option	Max. Height (m)	Max. Reach (m)	Capacity (kg)	Rotation (°)	Platform (cm)	Max. Angle (°)	Min. Height (m)	Max. Height (m)	Max. Slope (%)	Max. Slope (%)	Travel Speed (km/h)	Max. Load (kg)	Max. Load (kN)	Max. Load (kN/m²)	Max. Load (kN/m²)
XTJ 52+/C		51	16,5	500	660°	240x70	90°+80°	4,13-5,17	16%	42%		2	14980	95	4,49	7,01
XTJ 52+/R		51	16,5	500	660°	240x70	90°+80°	4,13-5,17	16%	21%		1,2	13000	95	3,89	7,64

Available power options:

BI-ENERGY (DIESEL+AC)

Characteristics and technical data are informative only and subjected to change without notice.

FILIALE MISSAGLIA: Via I° Maggio, 25 - 23873 Missaglia (LC) - Tel: +39 039 92.011.61 - Tel: +39 039 92.011.62

FILIALE SESTO SAN GIOVANNI: Via G. di Vittorio, 338 - 20099 Sesto San Giovanni (MI) - Tel: +39 02 26224081

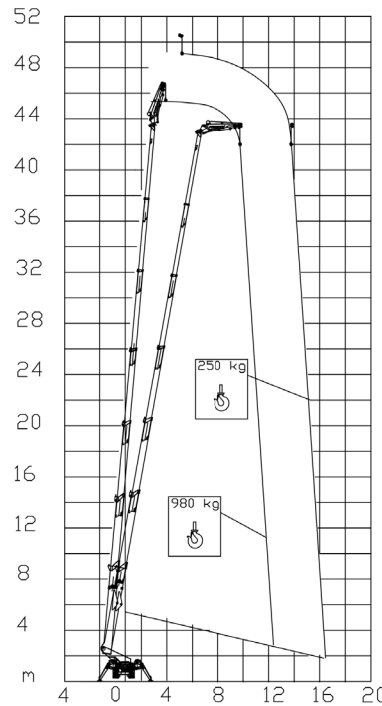
INFO LINE: 800.900.061



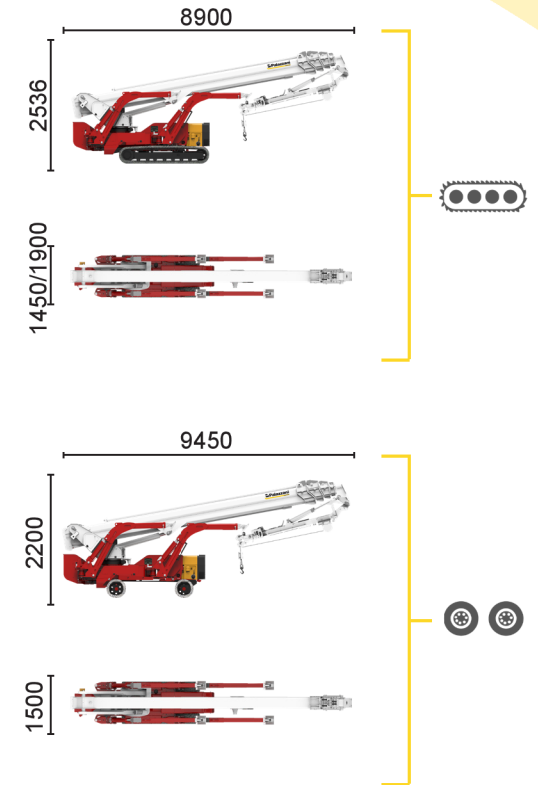
BI-ENERGY

Diesel
32,5 kW

Single-phase
Electric motor
230VAC - 2,2 kW



980 kg	250 kg
12,5 m	16,5 m



XTJ 52+/C		51 m	16,5 m	980 kg	660°	240x70 cm	90°+80°	4,13-5,17 m	16%	42%	2 km/h	14980 kg	95 kN	4,49 kN/m ²	7,01 kN/m ²
XTJ 52+/R		51 m	16,5 m	980 kg	660°	240x70 cm	90°+80°	4,13-5,17 m	16%	21%	1,2 km/h	13000 kg	95 kN	3,89 kN/m ²	7,64 kN/m ²

Available power options:

BI-ENERGY (DIESEL+AC)

Characteristics and technical data are informative only and subjected to change without notice.