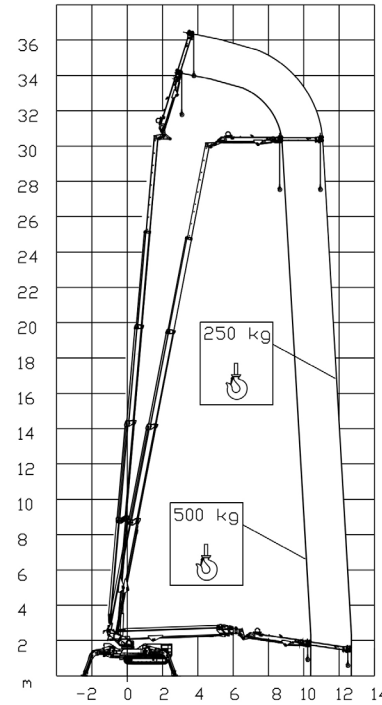
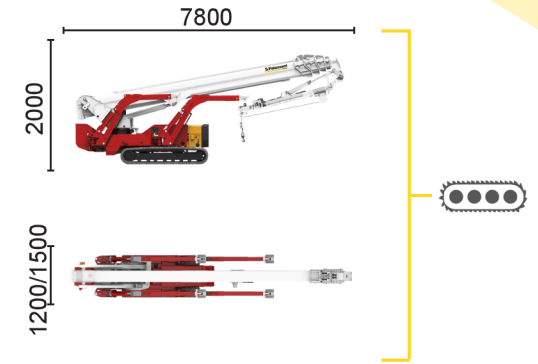



BI-ENERGY
Diesel
18,2 kW

Single-phase Electric motor
230VAC - 3 kW


500 kg	250 kg
10,4 m	12,7 m



XTJ 37+/C

 36 m
 12,7 m
 500 kg
 660°
 180x70 cm
 90°+80°
 2,68-5,26 m
 23%
 36%
 2,5 km/h
 7615 kg
 55 kN
 2,62 kN/m²
 5,42 kN/m²

Available power options:


BI-ENERGY (DIESEL+AC)


 ECO (AC+BATTERY)

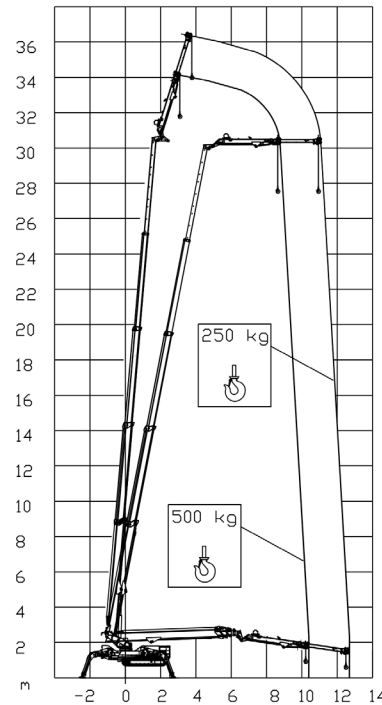
Characteristics and technical data are informative only and subjected to change without notice.



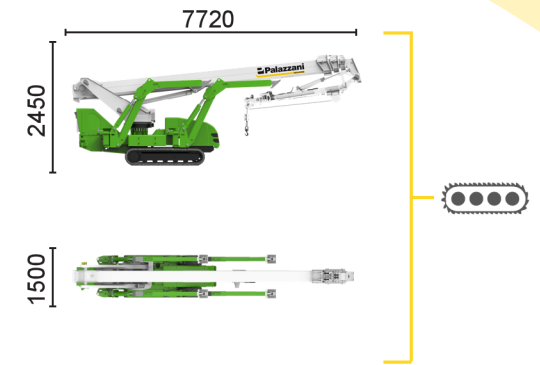
ECO


 Single-phase
 Electric motor
 230VAC - 16 kW


 Lithium iron
 phosphate battery
 LiFePO4
 48V - 420 Ah




500 kg	250 kg
10,4 m	12,7 m



XTJ 37+/C 
 36 m 12,7 m 500 kg 660° 180x70 cm 90°+80° 2,68-5,26 m 23% 36% 2,5 km/h 7615 kg 55 kN 2,62 kN/m² 5,42 kN/m²

Available power options:

 **BI-ENERGY** (DIESEL+AC)

 **ECO** (AC+BATTERY)

Characteristics and technical data are informative only and subjected to change without notice.