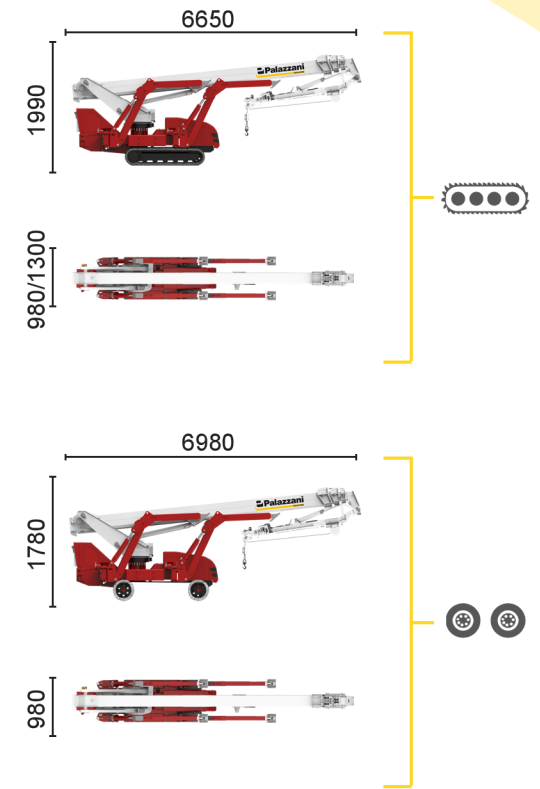
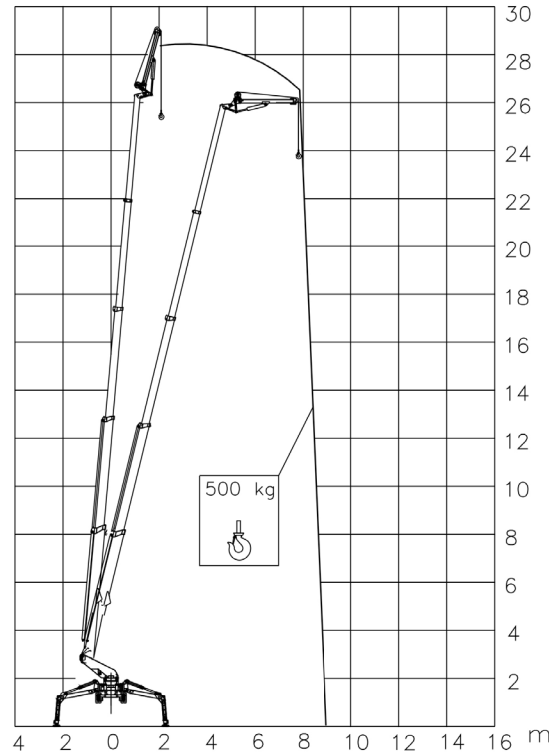




## BI-ENERGY

Diesel  
14,7 kW

Single-phase  
Electric motor  
230VAC - 2,2 kW



TSJ 30.1/C		28,5 m	9 m	500 kg	660°	180x70 cm	90°+80°	2,86-4,79 m	42%	42%	1,2 km/h	4580 kg	29 kN	1,94 kN/m <sup>2</sup>	3,83 kN/m <sup>2</sup>
TSJ 30.1/R		28,5 m	9 m	500 kg	660°	180x70 cm	90°+80°	2,86-4,79 m	44%	29%	1,2 km/h	4840 kg	29 kN	2,05 kN/m <sup>2</sup>	3,85 kN/m <sup>2</sup>

Available power options:

**BI-ENERGY** (DIESEL+AC)

**ECO** (AC+BATTERY)

**HYBRID** (DIESEL+AC+BATTERY)

Characteristics and technical data are informative only and subjected to change without notice.

**FILIALE MISSAGLIA:** Via I° Maggio, 25 - 23873 Missaglia (LC) - Tel: +39 039 92.011.61 - Tel: +39 039 92.011.62

**FILIALE SESTO SAN GIOVANNI:** Via G. di Vittorio, 338 - 20099 Sesto San Giovanni (MI) - Tel: +39 02 26224081

INFO LINE: 800.900.061



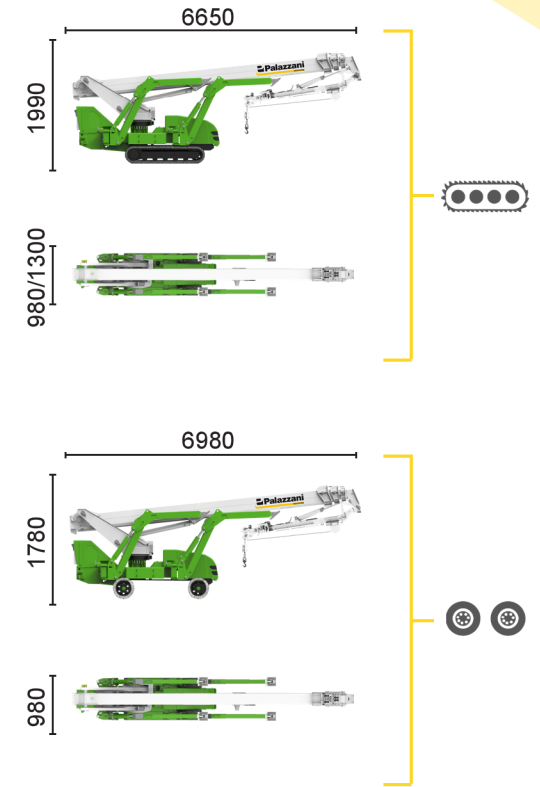
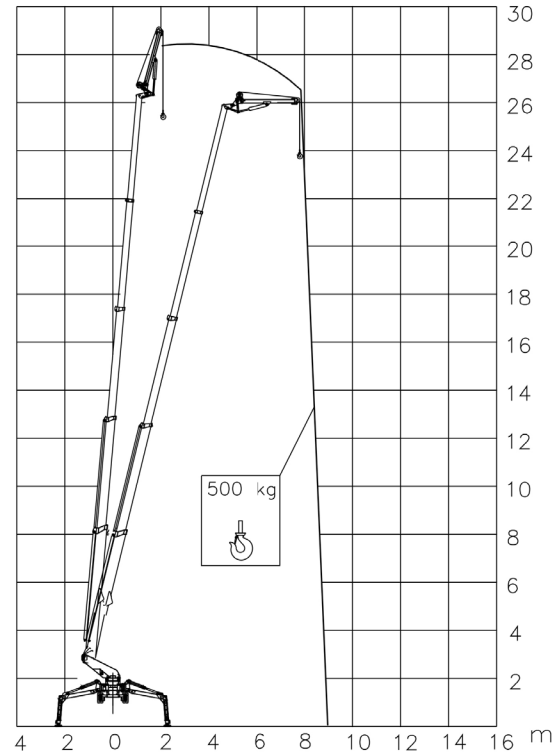
**ECO**

---

Single-phase  
Electric motor  
230VAC - 5,5 kW

---

Lithium iron  
phosphate battery  
LiFePO4  
48V - 375 Ah



TSJ 30.1/C		28,5 m	9 m	500 kg	660°	180x70 cm	90°+80°	2,86-4,79 m	42%	29%	1,2 km/h	4840 kg	29 kN	1,94 kN/m <sup>2</sup>	3,83 kN/m <sup>2</sup>
TSJ 30.1/R		28,5 m	9 m	500 kg	660°	180x70 cm	90°+80°	2,86-4,79 m	44%	29%	1,2 km/h	4840 kg	29 kN	2,05 kN/m <sup>2</sup>	3,85 kN/m <sup>2</sup>

Available power options:

**BI-ENERGY** (DIESEL+AC)

**ECO** (AC+BATTERY)

**HYBRID** (DIESEL+AC+BATTERY)

Characteristics and technical data are informative only and subjected to change without notice.

**FILIALE MISSAGLIA:** Via I° Maggio, 25 - 23873 Missaglia (LC) - Tel: +39 039 92.011.61 - Tel: +39 039 92.011.62

**FILIALE SESTO SAN GIOVANNI:** Via G. di Vittorio, 338 - 20099 Sesto San Giovanni (MI) - Tel: +39 02 26224081

INFO LINE: 800.900.061

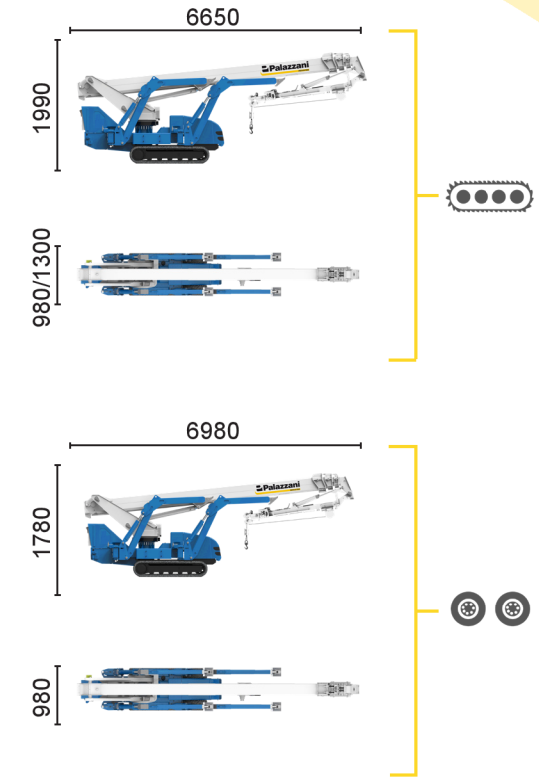
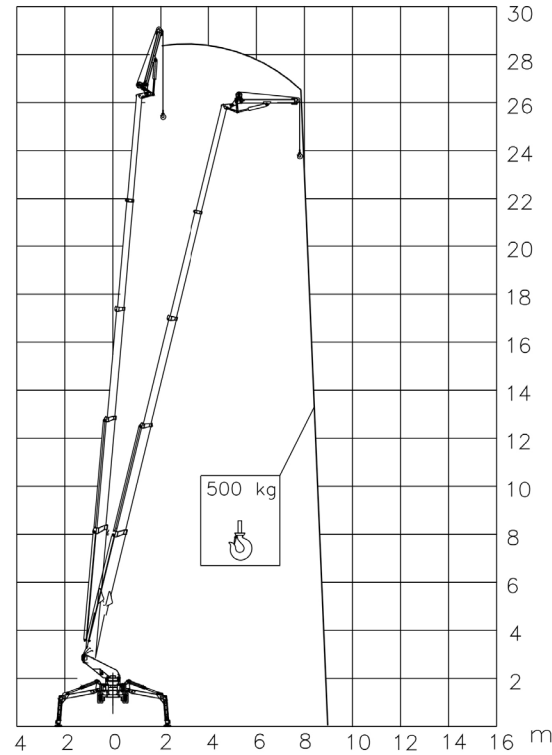


**HYBRID<sup>2</sup>**

Diesel  
14,7 kW

Single-phase  
Electric motor  
230VAC - 5,5 kW

Lithium iron  
phosphate battery  
LiFePO4  
48V - 210 Ah



TSJ 30.1/C		28,5 m	9 m	500 kg	660°	180x70 cm	90°+80°	2,86-4,79 m	44%	42%	1,8 km/h	4940 kg	29 kN	2,09 kN/m <sup>2</sup>	4,13 kN/m <sup>2</sup>
TSJ 30.1/R		28,5 m	9 m	500 kg	660°	180x70 cm	90°+80°	2,86-4,79 m	44%	29%	1,4 km/h	5040 kg	29 kN	2,14 kN/m <sup>2</sup>	4,01 kN/m <sup>2</sup>

Available power options:

- BI-ENERGY** (DIESEL+AC)
- ECO** (AC+BATTERY)
- HYBRID<sup>2</sup>** (DIESEL+AC+BATTERY)

Characteristics and technical data are informative only and subjected to change without notice.